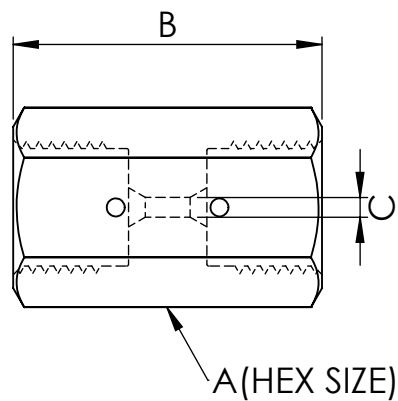


2

1

PROPRIETARY AND CONFIDENTIAL

THE INFORMATION CONTAINED IN THIS DRAWING IS THE SOLE PROPERTY OF PRESSURELINKS. ANY REPRODUCTION IN PART OR AS A WHOLE WITHOUT THE WRITTEN PERMISSION FROM PRESSURLINKS IS PROHIBITED.



DESCRIPTION	PL PART #	(A) HEX	(B) OAL	(C) THRU ϕ	WEIGHT(LBS)
1/4 HP FEM X 1/4 HP FEM	4HF04HF60	0.750	1.34	0.086	.12
1/4 HP FEM X 3/8 HP FEM	4HF06HF60	1.000	1.77	0.086	.33
1/4 HP FEM X 9/16 HP FEM	4HF09HF60	1.375	1.95	0.086	.67
3/8 HP FEM X 3/8 HP FEM	6HF06HF60	1.000	1.74	0.120	.28
3/8 HP FEM X 9/16 HP FEM	6HF09HF60	1.375	2.10	0.120	.70
9/16 HP FEM X 9/16 HP FEM	9HF09HF60	1.375	2.15	0.182	.58

PressureLinks
High Performance Fittings

TITLE:

**302 HP FEMALE X HP FEMALE
MASTER LIBRARY**

SIZE

A

DWG. NO.

HP FEMALE X HP FEMALE

REV

A

SCALE: 1:1

SHEET 1 OF 1

2

1

B

B

A

A