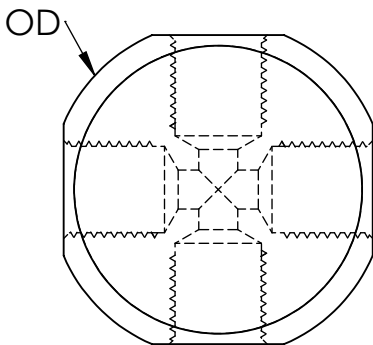
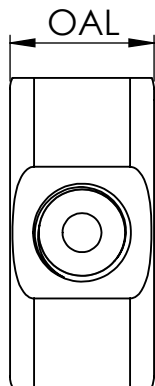
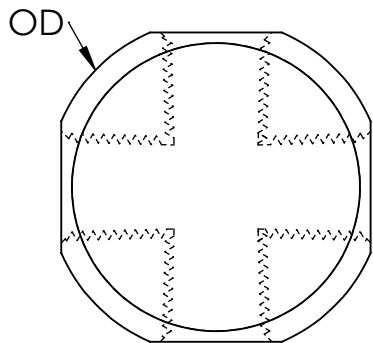
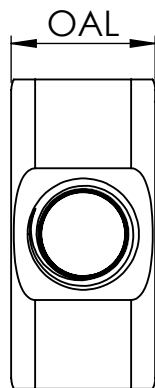


2

1

**PROPRIETARY AND CONFIDENTIAL**

THE INFORMATION CONTAINED IN THIS DRAWING IS THE SOLE PROPERTY OF PRESSURELINKS. ANY REPRODUCTION IN PART OR AS A WHOLE WITHOUT THE WRITTEN PERMISSION FROM PRESSURELINKS IS PROHIBITED.



DESCRIPTION	PL PART #	OD $\phi$	OAL	THRU $\phi$	WEIGHT(LBS)
1/8 NPT ROUND	2NX15	1.500	0.63	0.339	.23
1/4 NPT ROUND	4NX15	1.750	0.75	0.437	.33
3/8 NPT ROUND	6NX15	2.000	0.88	0.578	.46
1/2 NPT ROUND	8NX15	2.250	1.13	0.718	.73
3/4 NPT ROUND	12NX10	3.000	1.38	0.922	1.65
1 NPT ROUND	16NX10	4.000	1.75	1.156	3.94

DESCRIPTION	PL PART #	OD $\phi$	OAL	THRU $\phi$	WEIGHT(LBS)
1/4 BSP ROUND	4BX30	1.750	0.75	0.203	.37

**PressureLinks**  
High Performance Fittings

TITLE: **1300 ROUND CROSSES  
MASTER LIBRARY**

SIZE <b>A</b>	DWG. NO. <b>ROUND CROSSES</b>	REV <b>A</b>
------------------	----------------------------------	-----------------

SCALE: 1:1 SHEET 1 OF 1

2

1

B

B

A

A