

2

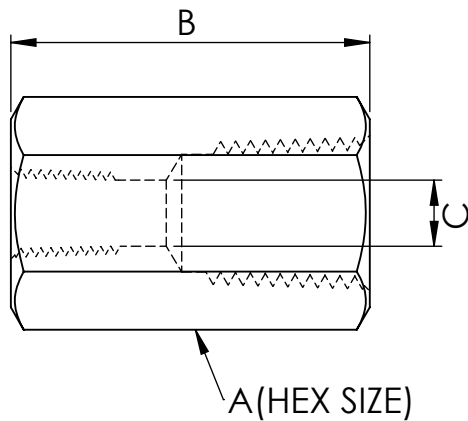
1

PROPRIETARY AND CONFIDENTIAL

THE INFORMATION CONTAINED IN THIS DRAWING IS THE SOLE PROPERTY OF PRESSURELINKS. ANY REPRODUCTION IN PART OR AS A WHOLE WITHOUT THE WRITTEN PERMISSION FROM PRESSURELINKS IS PROHIBITED.

B

B



A (HEX SIZE)

DESCRIPTION	PL PART #	(A) HEX	(B) OAL	(C) THRU ϕ	WEIGHT(LBS)
1/16 NPT FEM X 1/4 NPT FEM	1NF04NF15	0.750	1.34	0.246	.14
1/16 NPT FEM X 1/2 NPT FEM	1NF08NF15	1.125	1.59	0.246	.36
1/8 NPT FEM X 1/8 NPT FEM	2NF02NF15	0.625	1.00	0.339	.07
1/8 NPT FEM X 1/4 NPT FEM	2NF04NF15	0.750	1.32	0.339	.13
1/8 NPT FEM X 3/8 NPT FEM	2NF06NF15	0.875	1.34	0.339	.18
1/8 NPT FEM X 1/2 NPT FEM	2NF08NF15	1.125	1.57	0.339	.35
1/4 NPT FEM X 1/4 NPT FEM	4NF04NF15	0.750	1.40	0.437	.12
1/4 NPT FEM X 3/8 NPT FEM	4NF06NF15	0.875	1.53	0.437	.19
1/4 NPT FEM X 1/2 NPT FEM	4NF08NF15	1.125	1.75	0.437	.38
1/4 NPT FEM X 3/4 NPT FEM	4NF12NF10	1.375	1.79	0.437	.60
3/8 NPT FEM X 3/8 NPT FEM	6NF06NF15	0.875	1.40	0.578	.15
3/8 NPT FEM X 1/2 NPT FEM	6NF08NF15	1.125	1.73	0.578	.35
3/8 NPT FEM X 3/4 NPT FEM	6NF12NF10	1.375	1.76	0.578	.56
3/8 NPT FEM X 1 NPT FEM	6NF16NF10	1.750	2.00	0.578	1.07
1/2 NPT FEM X 1/2 NPT FEM	8NF08NF15	1.125	1.88	0.718	.33
1/2 NPT FEM X 3/4 NPT FEM	8NF12NF10	1.375	1.92	0.718	.58
1/2 NPT FEM X 1 NPT FEM	8NF16NF10	1.750	2.17	0.718	1.13
3/4 NPT FEM X 3/4 NPT FEM	12NF12NF10	1.375	1.79	0.921	.46
3/4 NPT FEM X 1 NPT FEM	12NF16NF10	1.750	2.14	0.921	1.04
1 NPT FEM X 1 NPT FEM	16NF16NF10	1.750	2.25	1.156	.96

A

A

PressureLinks
High Performance Fittings

TITLE:

**102 NPT FEMALE X NPT FEMALE
MASTER LIBRARY**

SIZE

DWG. NO.

REV

A**NPT FEMALE X NPT FEMALE****A**

SCALE: 1:1

SHEET 1 OF 1

2

1